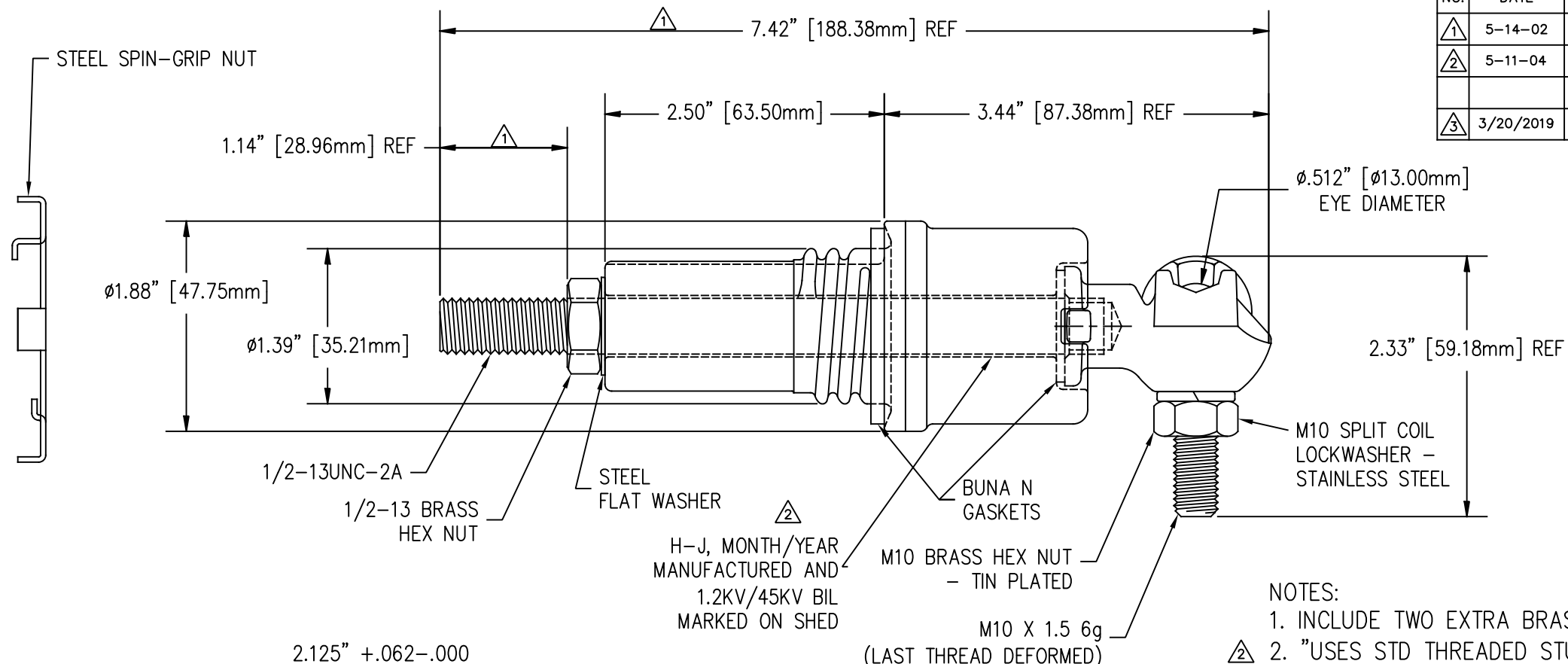
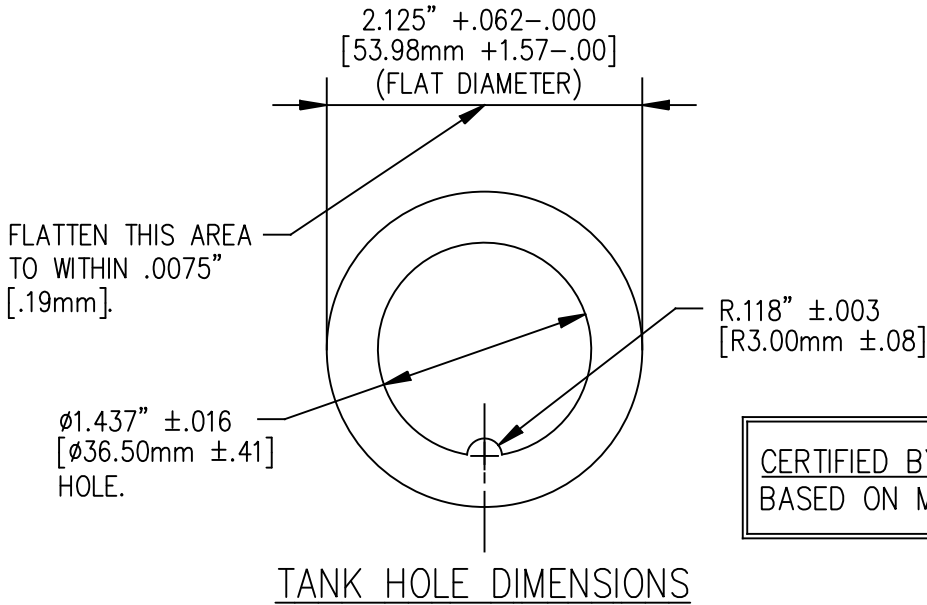


REVISIONS					
NO.	DATE	ECN #	REMARKS	BY	APPD.
①	5-14-02		REVISED DIMS: 7.53" TO 7.42"/1.25" TO 1.14"	CJT	JFS
②	5-11-04	HJ04-088	REVISED DESCRIPTION, ADDED NOTES, SHED MARKING AND CERTIFICATION NOTE.	JRM	SP
③	3/20/2019	HJ19-049	UPDATED LAPEM CERTIFICATION	TJF	LO



- NOTES:
1. INCLUDE TWO EXTRA BRASS HEX NUTS
 - ② 2. "USES STD THREADED STUD."

- PORCELAIN NOTES:
1. WET PROCESS ELECTRICAL PORCELAIN
 2. GREY GLAZE MUNSELL 5BG 7.0/0.4
 3. TOLERANCE ±3% WITH NOTHING LESS THAN ±.03
 4. PORCELAIN IS INSPECTED TO H-J ENTERPRISES INSPECTION GUIDELINES AND STANDARDS DOCUMENT P0161997
 - ② 5. CREEP DISTANCE (MIN).....1.81"[46.00mm]



MATERIAL:
 STUD - COPPER CDA 11000
 BODY - CDA 84400 - TIN PLATED
 EYEBOLT - CDA 95500 - TIN PLATED

②③
 CERTIFIED BY CFE/LAPEM (CFE E2C045-0500)
 BASED ON MEXICAN STANDARD CFE 53100-84

TOLERANCES (EXCEPT AS NOTED)
DECIMAL ±.032"/.8mm
FRACTIONAL ±
ANGULAR ±2°



H-J ENTERPRISES, INC.		
3010 HIGH RIDGE BLVD. HIGH RIDGE, MO. 63049 USA PHONE 1-636-677-3421 FAX 1-636-376-1915		
② 1.2KV/45KV BIL/500A CONTAMINATED AMBIENT		
MATERIAL (SEE NOTES)		
CHK'D	APP'D	DRAWING NO.
DRAWN BY CJT	DATE 5-7-02	SCALE N.T.S.
MAS0108-001		